

MaxGard® Interconnection Systems

Explosion-Proof Applications

Russellstoll® Hazardous-Duty Plugs, Receptacles and Interlocks are designed to support a variety of installation needs throughout 20A, 30A, 60A and 100A ranges where Division 1, Class 1 NEC® guidelines require the utmost in safety.

Unique among others, the Russellstoll® MaxGard® also offers true O-ring sealed waterproof design protection in addition to standard threaded flame-path construction employed elsewhere. In rough service, washdown and outdoor applications, MaxGard® performance goes beyond normal explosion-proof ratings.

With coming increases in harmonized designations for classifications between NFPA/NEC® and IEC (International) hazardous area standards, a quick reference classification chart is provided below. In all cases, the customer must determine and approve proper area classification standards and degree of harmonized standards acceptance.



HAZARDOUS MATERIALS ENVIRONMENT	U.S. NEC STANDARDS	EURO IEC STANDARDS
Gas or Vapor	Div. 1, Class I Div. 2, Class I	Zone 0 and 1 Zone 2
Dust	Div. 1, Class II Div. 2, Class II	Zone 10 Zone 11
Fibers/Flyings	Div. 1, Class III Div. 2, Class III	Zone 10 Zone 11
GROUP APPLICATIONS	NEC ART. 500 CLASS I: GROUPS	NEC ART. 505 ZONES 0, 1 AND 2
Div. 1 and 2, Class I	A: Acetylene	IIC
	B: Hydrogen	IIB
	C: Ethylene	IIA
	D: Propane	

The above chart is presented for quick reference only and should only be used in conjunction with noted Articles. Further definition of harmonized standards will be supported by Russellstoll through appropriate specification efforts whenever practical.

MaxGard® Interconnection Systems

MaxGard® DBRE and DSRE Series Interlocks are the only devices certified both explosion-proof and waterproof, along with optional control contacts, and are fully UL® Listed.

Explosion-Proof Waterproof Circuit Breaker Interlocked Receptacle

Available in 30-, 60- and 100-amp sizes, all polarizations. Division 1, Class I and II.



UL and CSA listed for hazardous locations

Class I, Division 1, Groups B, C and D

Class II, Division 1, Groups F and G

UL File E10919

NEMA 7, 8, 9

CSA

DOT shipboard used above deck "green water"

NEMA 4X

USCG approved



Explosion-Proof Non-Interlocked Receptacle

Available in 30A 480VAC max., all polarizations

- Factory-sealed interior (no filled conduits)
- Easy low-cost installation



UL and CSA listed for hazardous locations

Class I, Division 1, C and D

Class II, Division 1, Groups F and G

UL File E10919

NEMA 7, 8, 9

CSA

DOT shipboard used above deck "green water"

NEMA 4X

USCG approved



MaxGard® Interconnection Systems

Maximum
600VAC or 250VDC



Explosion-Proof Interlocked
Receptacle with Circuit Breaker
Class I, Class II



Explosion-Proof
Receptacle, Class I, Class II



Male Plug

	POLES/ WIRES	VOLTAGE (VAC)	CAT. NO.	CAT. NO.	CAT. NO.	STD. BUSHING I.D.*
30 Amp						
	2P3W	125	DBRE310703000	DSE3107FRO	DS3107MP000	7/8"
	2P3W	250	DBRE320703000	DSE3207FRO	DS3207MP000	7/8"
	3P4W	30250	DBRE330703000	DSE3307FRO	DS3307MP000	1"
	3P4W	30480	DBRE340403000	DSE3404FRO	DS3404MP000	1"
	4P5W	277/480	DBRE350403000	DSE3504FRO	DS3504MP000	1 1/8"
60 Amp						
	2P3W	250	DBRE620706000	—	DS6207MP000	1 1/8"
	3P4W	30250	DBRE630706000	—	DS6307MP000	1 1/8"
	3P4W	30480	DBRE640406000	—	DS6404MP000	1 1/8"
	4P5W	277/480	DBRE650406000	—	DS6504MP000	1 1/2"
100 Amp						
	2P3W	250	DBRE120710000	—	DS1207MP000	1 11/16"
	3P4W	30250	DBRE130710000	—	DS1307MP000	1 13/16"
	3P4W	30480	DBRE140410000	—	DS1404MP000	1 13/16"
	4P5W	277/480	DBRE150410000	—	DS1504MP000	2"

Boldface figures are for voltage assignment; for different ratings, see **page 40**.

* For additional bushing sizes, accessories and specification information, see **pages 34–39**.

Note: For additional full line and polarization options, see **page 40**.

▼ **Control Contacts** (position 12) use "K" example: DBRE6404060K0

Shunt Trip Breaker (position 13) add "Z" to above: DBRE6404060KZ

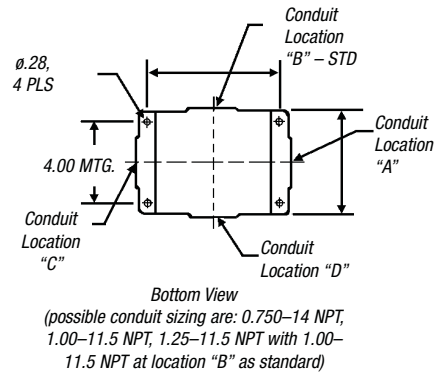
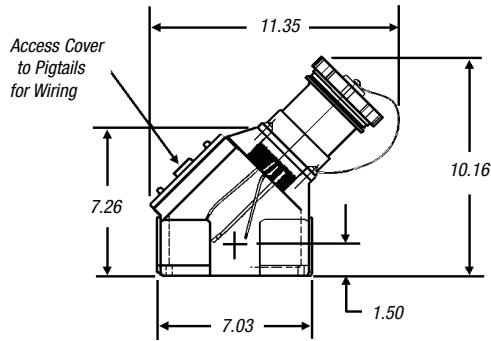
Breaker Trip Ratings (positions 9, 10, 11) 30 amp use O30; 60 amp use O60; alternate trip ratings are available — consult Technical Services

Non-Auto Sw. NAO (repl. "DBRE" with "DSRE")

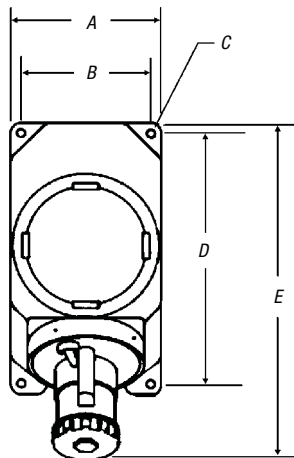
MaxGard® Interconnection Systems

Dimensions

Explosion-Proof Receptacle

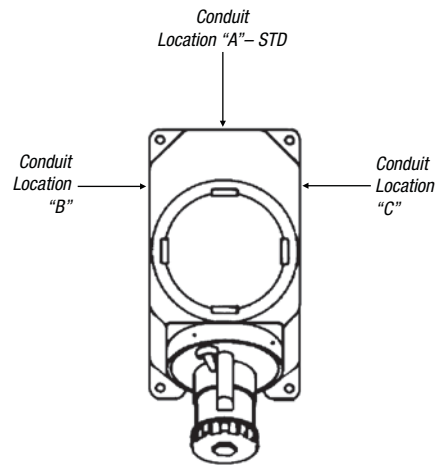


Explosion-Proof Interlocked Receptacle



AMP	A	B	C	D	E
30	8¾"	7½"	½"	14¾"	20"
60	8¾"	7½"	½"	14¾"	20"
100	8¾"	7½"	½"	14¾"	20"

Conduit Sizing



AMP	STANDARD
30	1.25"
60	1.50"
100	2.00"

Note: Range is 0.750–14 NPT through 2.00–11.5 NPT.